

**Woertz AG**  
 Hofackerstrasse 47  
 P.O. Box 948  
 CH-4132 Muttenz  
 Tel. ++ 41 61/ 466 33 33  
 Fax ++ 41 61/ 466 33 31  
 E-mail [elektronik@woertz.ch](mailto:elektronik@woertz.ch)  
 Internet [www.woertz.ch](http://www.woertz.ch)

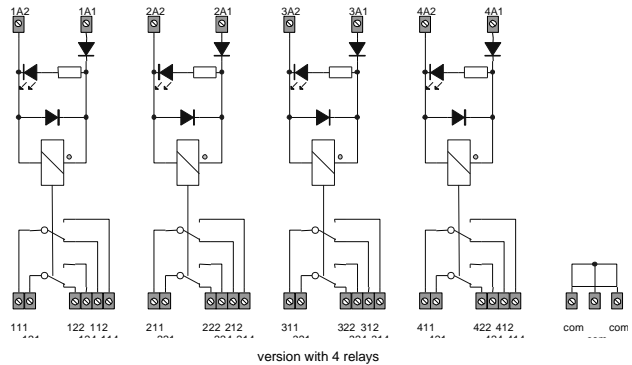
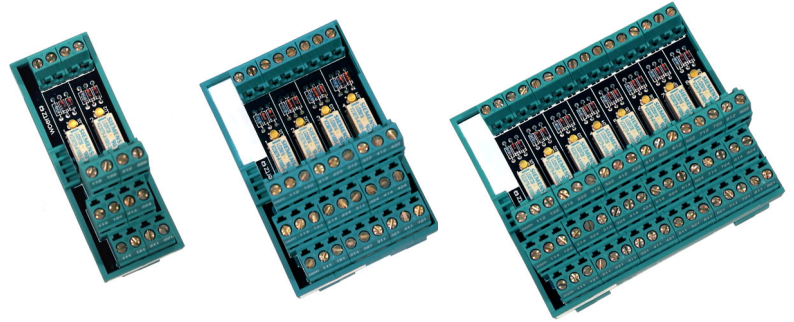
2 changeover contacts, max. 2A

**Properties**

- Relays with universal use
- 2 changeover contacts per relay
- Relays with low power consumption
- Relays with state indicator
- Compact structure
- Easy connection by means of junction racks
- Relay coils can be individually connected (no common negative pole)
- Clear structured modules
- Marking possibilities
- COM terminals for the connection of several modules (except for the version with 2 relays)
- Series 45341 replaces series 45102
- Series 45342 replaces series 45103

**Accessories**

- 30413RO junction rack, 20 poles red
- 30413BL junction rack, 20 poles blue
- 80095 marking label RB 6x12
- 45294/20 marking label 10x20mm
- 45294/30 marking label 10x30mm



**Technical data**

**Contacts**

Max. switching voltage  
 Rated switching current  
 Max. admissible constant current  
 Rated breaking capacity  
 Number of contacts per relay  
 Type of contact  
 Min. switching voltage

**Coil**

Rated power  
 Pickup voltage 5/ 12/ 24 VDC  
 Breaking voltage 5/ 12/ 24 VDC  
 Current consumption per channel (at rated voltage)

**General data**

Temperature range  
 Mechanical lifetime  
 Pickup-/ Breaking-/ Bouncing time  
 Nominal cross-section of the connecting terminals  
 Dimensions L x B x H (from the rail)

**2 relays**

**4 relays**

**8 relays**

250VAC/ 220VDC  
 2A  
 2A  
 62.5VA/ 60W  
 2 changeover contacts  
 twin contacts  
 500µV  
 140mW  
 4.0/ 9.6/ 19.2 VDC  
 0.5/ 1.2/ 2.4 VDC  
 34/ 15/ 9mA

-40°C up to +60°C  
 10<sup>8</sup> cycles  
 4/ 5/ 1ms  
 2.5mm<sup>2</sup>

30x83x67mm

55x83x67mm

95x83x67mm

**Article numbers**

5VDC  
 12VDC  
 24VDC

**45341A/7**  
**45341A/1**  
**45341A/2**

**45342A/7**  
**45342A/1**  
**45342A/2**

**45343A/7**  
**45343A/1**  
**45343A/2**