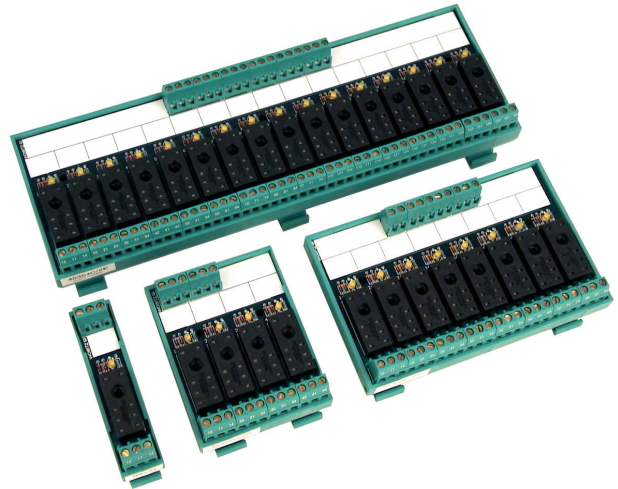


Modules with plug-in bases

for 1 changeover contact, 250VAC/ 16A

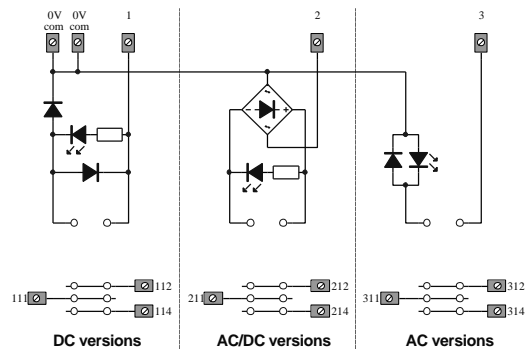


Properties

- 4kV/ 8mm between inputs and outputs on the circuit board (impulse withstand voltage)
- For relays and optocouplers with 5mm pin spacing
- With plastic holding clamps for 16mm- and for 25mm-high elements
- State indicators on the circuit boards
- Compact
- Collective line of the exciting circuit (common negative pole)
- Double collective line for an easy wiring of several modules
- Clear structured modules
- Marking possibilities
- Complete range: 1, 4, 8 or 16 plug-in bases per module

Accessories

- 30413RO Junction rack, 20 poles red
- 31413BL Junction rack, 20 poles blue
- 45294/20 Marking label 10x20mm
- 45294/30 Marking label 10x30mm



Technical data

Circuit elements: required specifications

Pin spacing
 Total height
 Type of contact
 Possible relays (incomplete listing)

Possible optocouplers (incomplete listing)

At the output

Rated voltage
 Rated switching current
 Max. constant current
 Number of contacts per circuit element

Exciting circuit

Operating voltage tolerance
 Protection element for DC types

General data

Temperature range
 Nominal cross-section of connecting terminals
 Dimensions B x H (from rail)
 Length

1 base 4 bases 8 bases 16 bases

5mm
 16mm and 25mm
 1 changeover contact, 1 NO contact or 1 NC contact
 Siemens: RT2, RT3, RPxx0, RPxx1, RP3SL
 Finder: 40.51, 40.61, 41.61
 Woertz: 45331, 45337, 45338, 45339

250VAC
 16A
 12A

1 changeover contact

given range $\pm 20\%$
 reverse battery protection diode and recovery diode

-40 up to +60°C
 2.5mm²
 83 x 53mm

20mm 65mm 130mm 250mm

Article numbers

12VDC
 24VDC
 48-60VDC
 24V AC/DC
 115-230VAC

1 base	4 bases	8 bases	16 bases
45351C/1E	45352C/1E	45353C/1E	45354C/1E
45351C/2E	45352C/2E	45353C/2E	45354C/2E
45351C/19E	45352C/19E	45353C/19E	45354C/19E
45351C/12E	45352C/12E	45353C/12E	45354C/12E
45351C/45E	45352C/45E	45353C/45E	45354C/45E