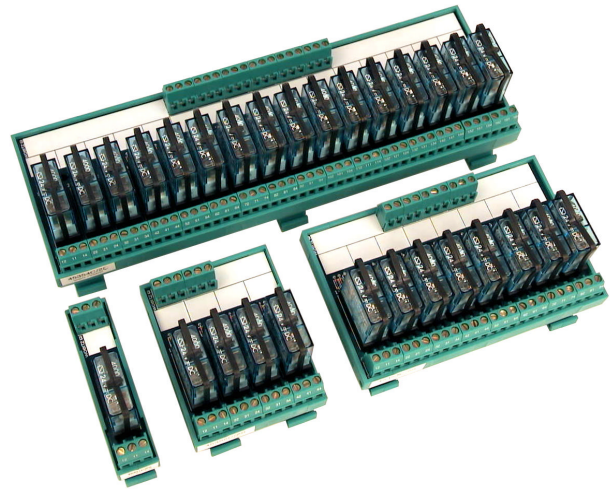


Woertz AG
 Hofackerstrasse 47
 P.O. Box 948
 CH-4132 Muttenz
 Tel. ++ 41 61/ 466 33 33
 Fax ++ 41 61/ 466 33 31
 E-mail elektronik@woertz.ch
 Internet www.woertz.ch

1 changeover contact, 250VAC/ 16A (100A)

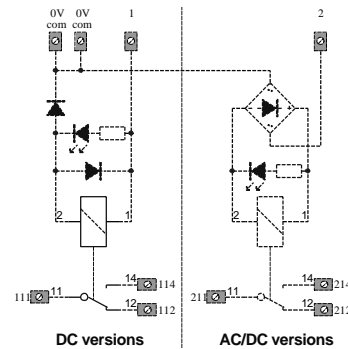


Properties

- 4kV/ 8mm between inputs and outputs (impulse withstand voltage)
- Relays for currents at make up to 100A
- Specially adapted for switching on capacitive loads and electronic fluorescent lamp ballasts
- 1 changeover contact per relay
- Relays with state indicator
- Compact
- Relay coils with collective line
- Double collective line for an easy wiring of several modules
- Clear structured modules
- Marking possibilities
- Complete range: 1, 4, 8 or 16 relays per module

Accessories

- 30413RO Junction rack, 20 poles red
- 31413BL Junction rack, 20 poles blue
- 45294/20 Marking labels 10x20mm
- 45294/30 Marking labels 10x30mm



Technical data

Contacts

Switching voltage/ max. switching voltage
 Rated switching current
 Max. constant current
 Max. current at make
 Rated switching power
 Number of contacts per relay
 Material

Coil

Rated power
 Pickup voltage (12/ 24/ 48)
 Breaking voltage (12/ 24/ 48)
 Current consumption (12/ 24/ 48)

General data

Temperature range
 Mechanical lifetime
 Pickup-/ Breaking time (Bouncing time included)
 Nominal cross-section of connecting terminals
 Dimensions B x H (from the rail)
 Length

	1 relay	4 relays	8 relays	16 relays
Switching voltage/ max. switching voltage		250VAC/ 400V		
Rated switching current		16A		
Max. constant current		12A		
Max. current at make		100A		
Rated switching power		4000VA		
Number of contacts per relay		1 changeover contact		
Material		AgSnO ₂		
Rated power		500mW		
Pickup voltage (12/ 24/ 48)		9.6/ 19.2/ 38.4V		
Breaking voltage (12/ 24/ 48)		1.2/ 2.4/ 4.8V		
Current consumption (12/ 24/ 48)		41.7/ 20.8/ 10.4mA		
Temperature range		-40 up to +60°C		
Mechanical lifetime		>20x10 ⁶ cycles		
Pickup-/ Breaking time (Bouncing time included)		15/ 60ms		
Nominal cross-section of connecting terminals		2.5mm ²		
Dimensions B x H (from the rail)		83 x 62mm		
Length	20mm	65mm	130mm	250mm

Article numbers

	1 relay	4 relays	8 relays	16 relays
12VDC	45351C/1L	45352C/1L	45353C/1L	45354C/1L
24VDC	45351C/2L	45352C/2L	45353C/2L	45354C/2L
48VDC	45351C/3L	45352C/3L	45353C/3L	45354C/3L
24V AC/DC	45351C/12L	45352C/12L	45353C/12L	45354C/12L